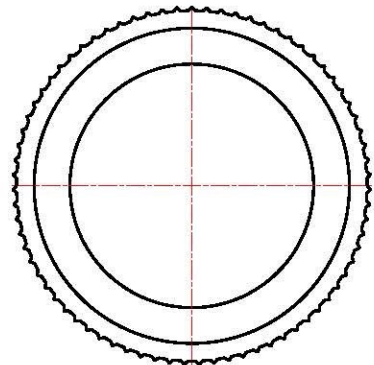
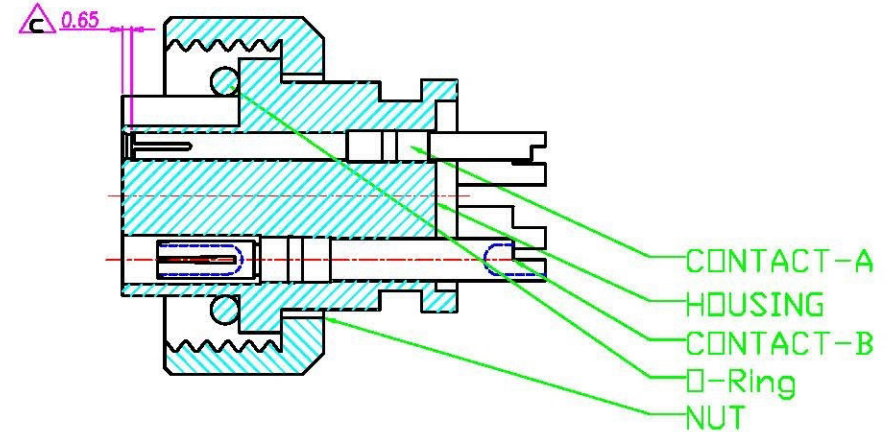
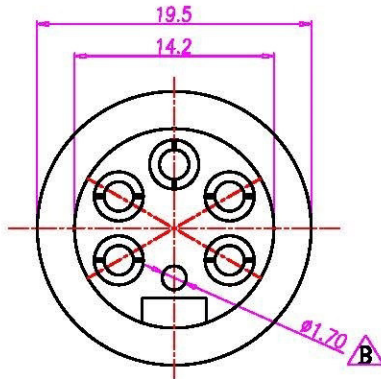
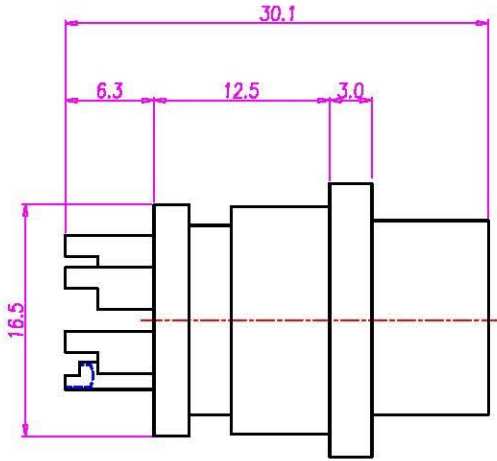


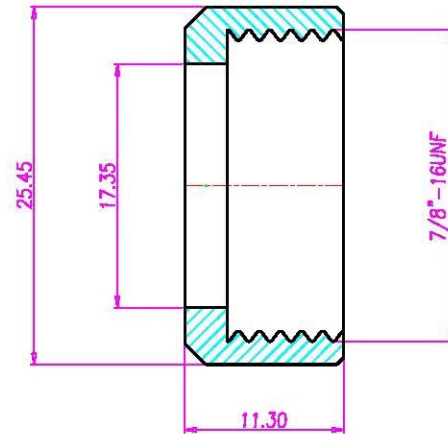
This document is the property of Nan-Yeong Corporation and is delivered on the express condition that it is not to be disclosed, reproduced or used, in whole or in part, for manufacture or sale by anyone other than Nan-Yeong Corporation without its prior consent, and that no right is granted to disclose or to use any information in this document.

CUSTOMER DRAWING

REV.	DESCRIPTION	APPROVED BY	DATE	ECN NO.
A	RELEASE	Fido Veng	18/05/09*	
B	CHANGE DIM. & FINISH	Fido Veng	29/06/09*	ECN09093
C	CHANGE DIM. & FINISH	Fido Veng	06/08/09*	ECN09121



NUT



- MATERIAL :
 - 1-1. HOUSING : PBT UL94V-0 ; COLOR : YELLOW
 - 1-2. CONTACT A : BRASS
 - 1-3. CONTACT B : BRASS
 - 1-4. NUT : BRASS
 - 1-5. O-RING :NBR; COLOR : BLACK
- FINISH :
 - 2-1. CONTACT A : GOLD FLASH OVER ALL
 - 2-2. CONTACT B : GOLD FLASH OVER ALL
 - 2-3. NUT : NICKEL PLATED OVER ALL
- ELECTRICAL SPECIFICATION :
 - 3-1. Rated current : 20A
 - 3-2. Rated voltage :125V
 - 3-3. Water proof: IPX7
- Environmental :
 - 4-1. Operation Temperature : -20 °C~85°C

DRAWN	KU	APP'D	UNIT	MM	TOLERANCE		TITLE	WPTERPROOF 7/8 5PIN 20A , 1 PIN FOR SIGNAL(F)			SHEET	
CHK'D			SCALE	1:1	.X ±0.25 .XX ±0.20 .XXX ±0.10 .XXXX ±0.03 ANGULA ±1°		www.allconnectors.de Tel: 0049 711 7000503 70754 Hilderstadt - Germany	info@allconnectors.de Fax: 0049 711 7000504 Kettnerstr. 25	PART NO.	WP-06F2-11	DWG NO.	QC4250

VERSION B